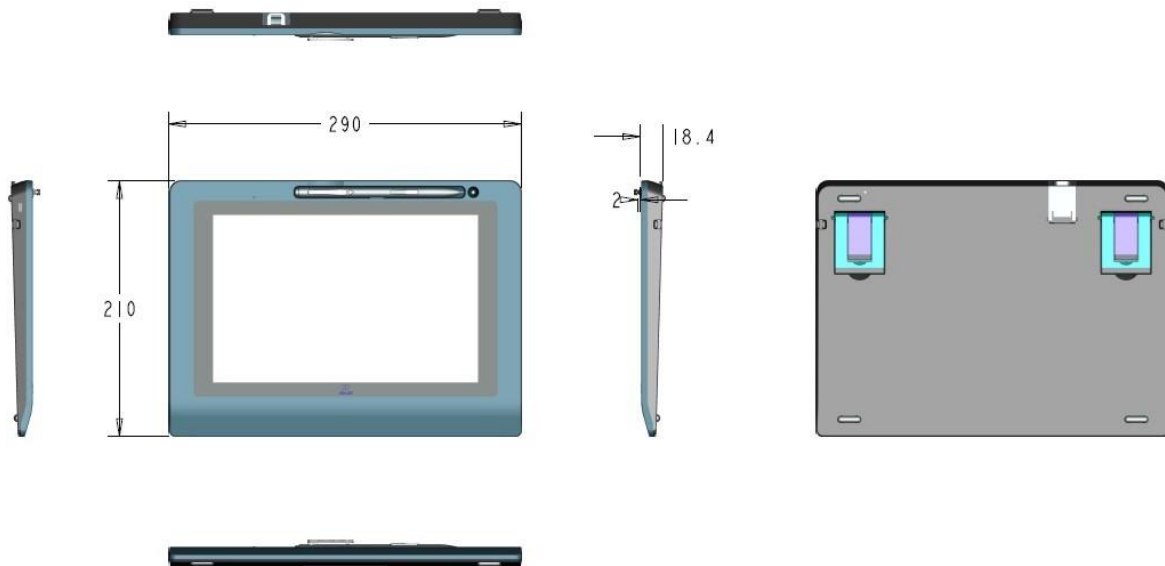


Saral Digital Signature Pad S100 (Single Touch)

Brand: Saral

Model: S100





Panel Description	
Brand	Saral
Model	S100
Country of Origin	India (Country of Manufacturing: China)
Panel Size	10.1Inch
Panel Type	TFT LCD IPS
Display Ratio	16:10
Active Area	216.96 (W)X135.6 (H) mm
Pixels	1280*800
Pixel Pitch	0.1695 mm X 0.1695mm
White Luminance (TYP)	180cd/m ²
Color	16.7M Colors
Response Time	TR 14 ms (Typ) TF 11 ms (Typ)
Contrast Ratio	800:1
Backlight Lifetime	20000 hrs
Viewing Angle	85/85/85/85 @CR≥10
Touch Description	
Sensor Type	3rd-Generation Touchscreen And Support 1 Million Signature
Touch Technology	Electromagnetic Resonance Without Battery
Resolution & Conversion Rate	Industry Standards Programmable Ppi Actual Resolution: 56296*31667
Signing Area	Max: 215 Mm X135 Mm, Can Be Set Per Specified Area As Client Requirement
Resolution	10206*7422
Pressure Level	1024
Report Rate	200pps
Accuracy	±0.5mm (Center), ±1mm (Edge)
Tilt Angle	±45°from Vertical
Sensor Height	7 mm
Interface	USB
Support OS	WinXP、 Vista、 Win7 、 Win8、 MAC (10.6 or later)
Pen Description	
Pen Type	Wireless Pen Without Battery. Rugged, Passive Pen & Tether Patented
Pen Tip	Switch Freely
Authentication Capability	Forensic Quality. SIG Data With Any SDK
Pad's Remote Usage	Support BSB, B & HSB.
Power Supply	
Power Supply Type	USB 5V



Power Consumption	5W
Interface	
Video Input	USB 2.0*1
Power LED	RED/Green Color
Others	
Dimension	290(L)*210(W)*18.4(H)mm
Net Weight	0.65KG
Gross Weight	0.95KG
Working Temperature	5~55°C
Working Humidity	20~80%
Storage Temperature	-10~80°C
Storage Humidity	10~90%
Browser Tools	Support Rapid Integration Of Signature Capture Functionality Into A Web Application.
Verification Software	Support To Verify E-signatures Without the Need to Create Or Store any Templates. Available To Forensic Document.
Developer's Tools	Latest SDK For Windows Application. ActiveX Support and View Electronically Signed Documents. Available As a Native Java Bean. Support In C. Assembly for the .NET Environment. Applications to Capture/Embed E-signatures in Digital Signature Fields in PDF Documents.